



WaisMed Ltd.
Leading Intraosseous Devices

Injection Gun Reloading Device RBIG007



USER MANUAL

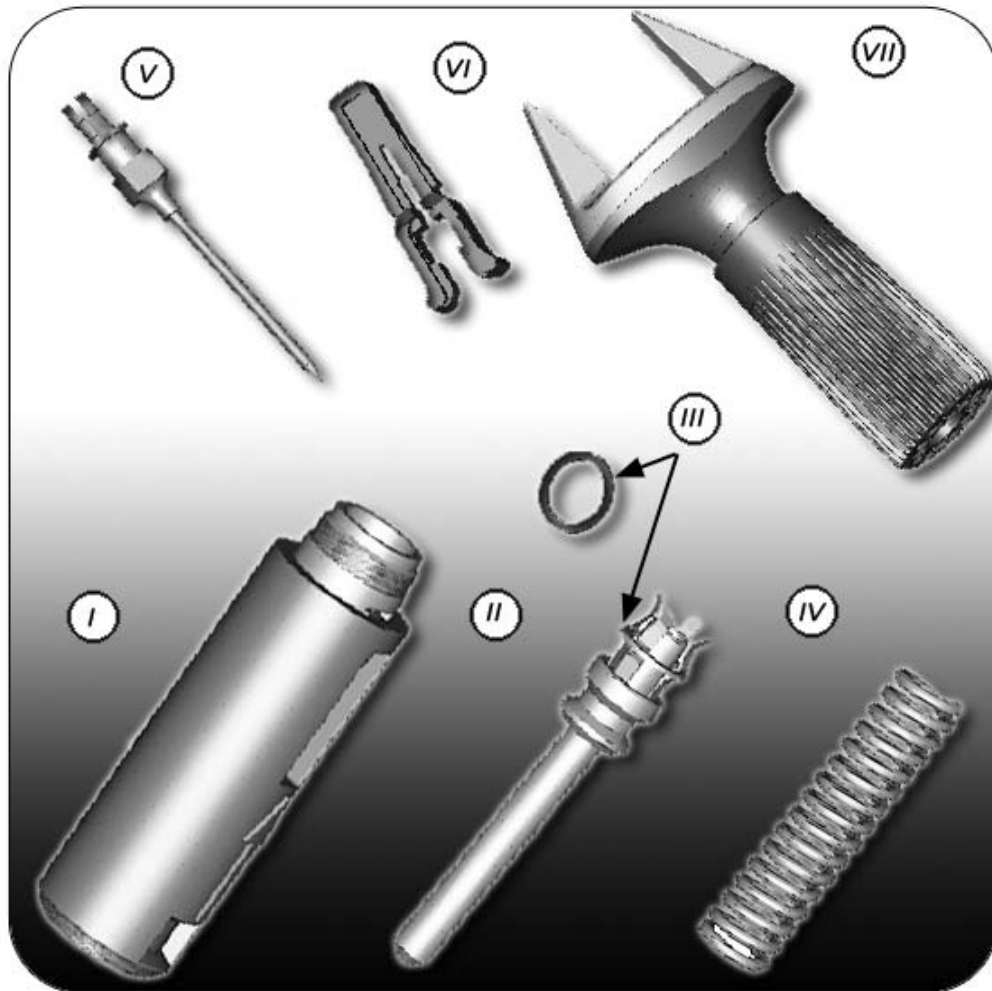
For further details or inquiries please contact WaisMed Ltd.

[@waismed.](#)

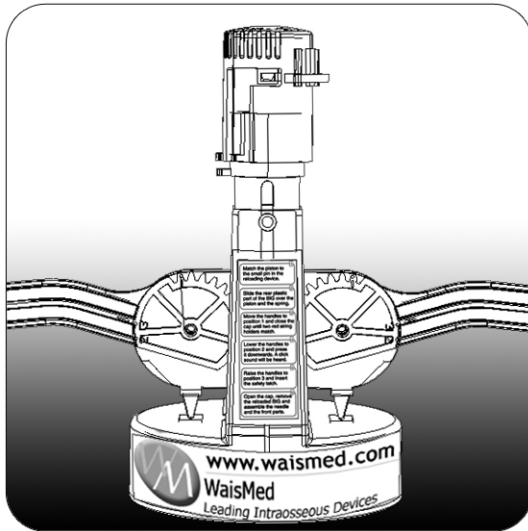
[.waismed.](#)

support@waismed.com

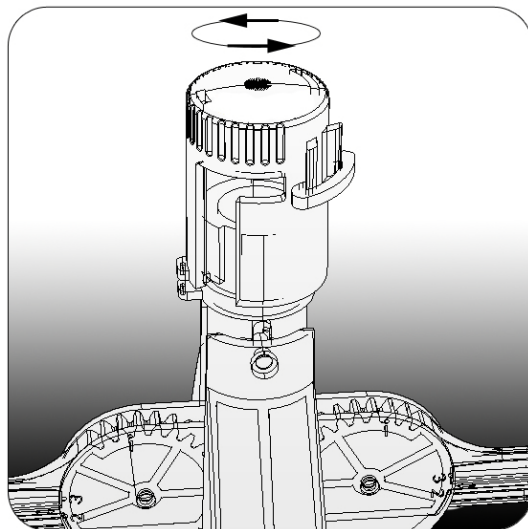
www.waismed.com



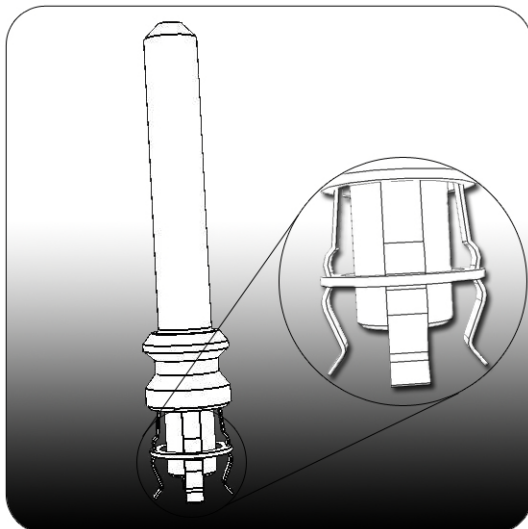
1. In order to reload the BIG you will need the following parts:
 - I. **Rear Body**
 - II. **Piston**
 - III. **Washer (Ring)**
 - IV. **Spring**
 - V. **Needle**
 - VI. **Safety Latch**
 - VII. **Front Body**



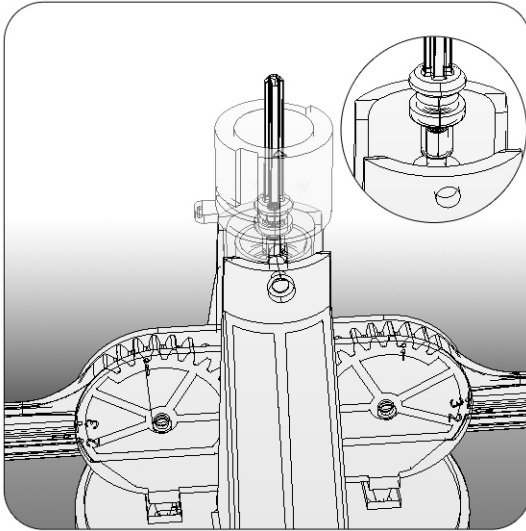
2. Position the **Reloading Device** with WaisMed sticker facing you. The handles should be in **Position 2**.



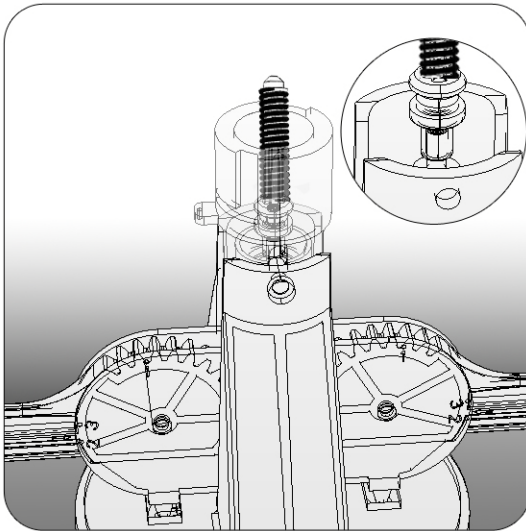
3. Remove the **cap** at the top of the **Reloading Device**. Twisting it counter clockwise and pull it **up**.



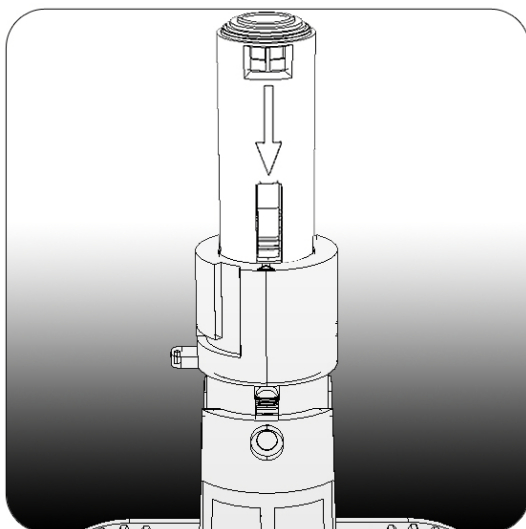
4. Move the **Washer (Ring) (III)** on top of the **Piston (II)** to the small groove on the **Needle- Gripping Prongs**.



5. Match the **Piston (II)** to the small **Pin** inside the **Reload Device**.

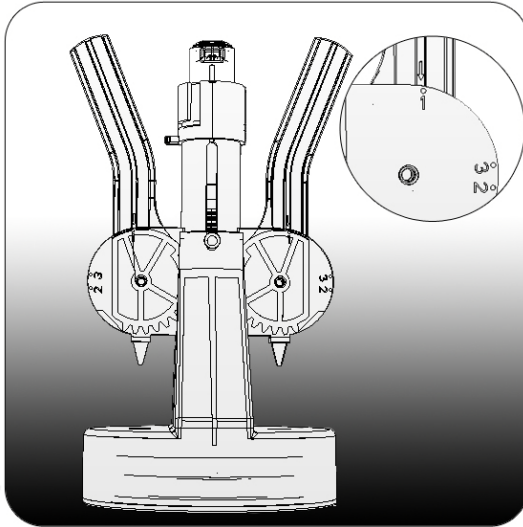


6. Slide the **spring (IV)** over the **Piston (II)**.

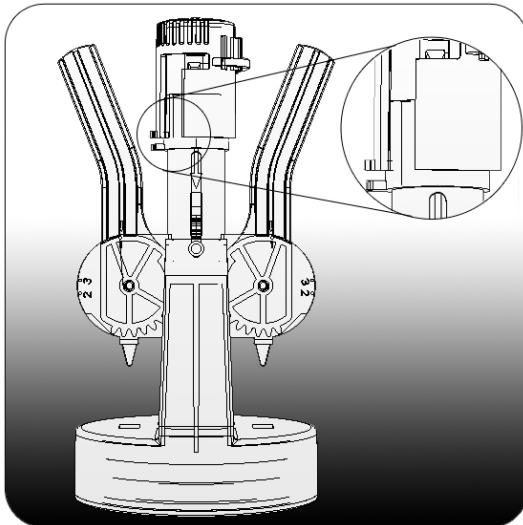


7. Slide the **Rear Body of the B.I.G. (I)** over the **Piston (II)** and **Spring (IV)**; make sure that the **Bolder Raised Arrow** matches the **groove** on the back of the device and the **Shallower Raised Arrow** is pointing at the red line on the front of the device.

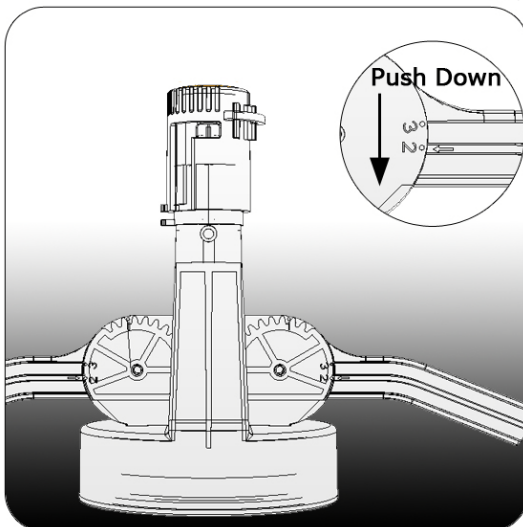
! *Arrows should be pointed downwards.*



8. Move the **handles** to **Position 1**. With your fingers, press the top of the **BIG** and press it downwards. You should feel the **spring resistance**.

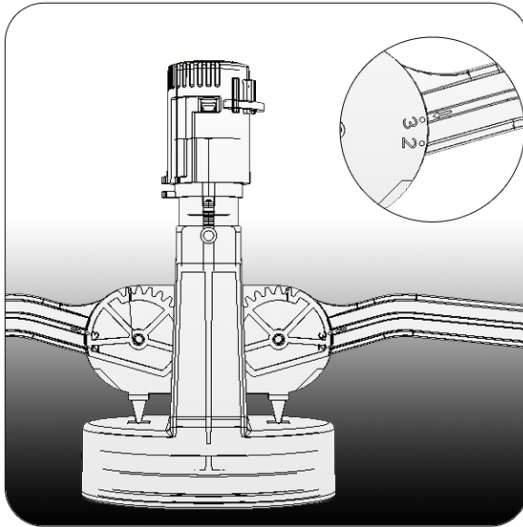


9. While holding the handles in **Position 1**, close the **cap** by pushing it **downwards** and twisting it clockwise until the two **red string holders** match.



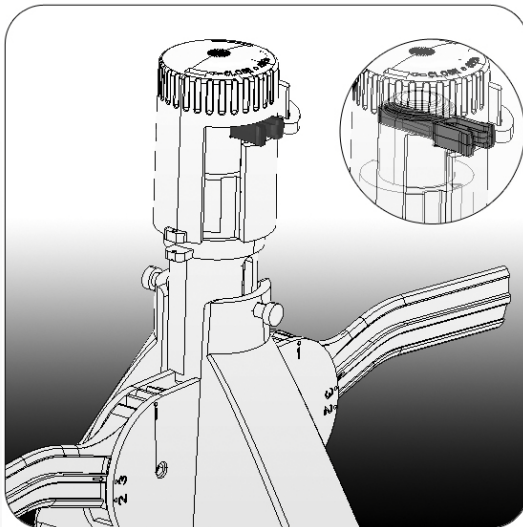
10. Lower the **handles** to **Position 2** and press it downwards until a click sound is heard.

- ! **The handles base and the device base should touch one another.**
- ! **Do not lean on the far side of the handles as they might break.**



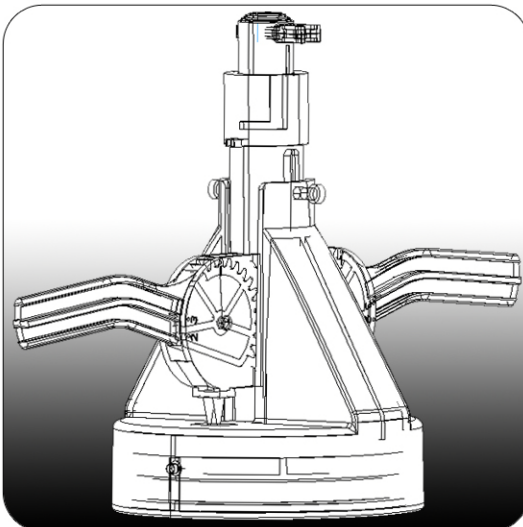
11. Raise the **handles** to **Position 3**.

- ! **Caution!** The spring (IV) is now loaded and great care should be taken while handling the BIG.
- ! Do not try to remove the BIG without inserting the safety latch (VI) (step 9).

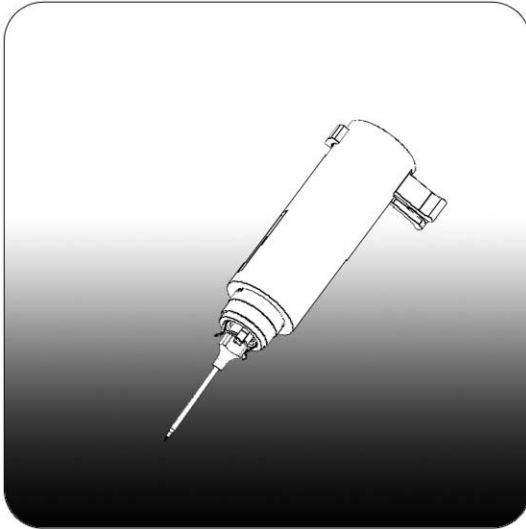


12. Insert the **safety latch (VI)**.

- ! Make sure the safety latch (VI) is firmly in place and could be seen through the small hole on the other side of the cap.
- ! If the device is too elevated bring it to the desired position by lowering the red clip on the cap's back with your finger.

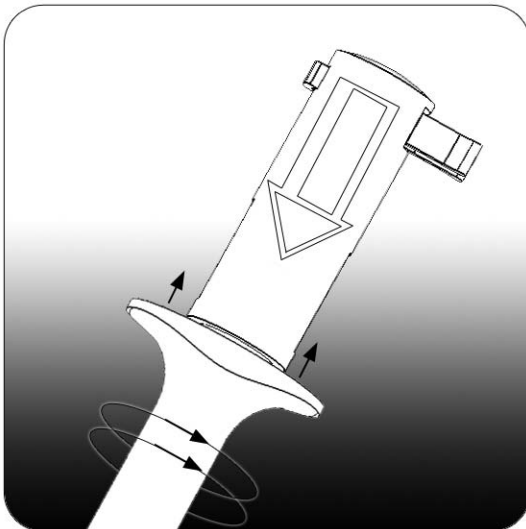


13. Remove the **Cap** by twisting it counter-clockwise and pulling it **up**.



14. Remove the **BIG** from the **cap** and place the **Needle (V)** hub into the **Needle Greeting Prongs**, until the **Needle (V)** is firmly and securely held in place. (A click sound will be heard).

- ! *Do not try to open the cap without inserting the safety latch (VI) first.*
- ! *For safety issues; when placing the needle (V) hub into prongs, make sure that the sharp end of the needle is not directed at any person.*
- ! *Never point the BIG and/or the needle at a person.*



15. Close the **Front Body (VII)** of the **BIG** by screwing it onto the **Rear Body (I)**.

- ! *Never take out the safety Latch (VI) when the device is loaded.*

! *The spring used in the reloadable devices is weaker than the actual product, in order to enable easier reloading of the device.*

! *The Reloading Device is intended for use only with the Demo BIG supplied with it.*

! *The use of the Reloading Device is only for authorized personnel who were trained to use and reload the BIG.*

i *For additional information and safety issues refer to the included CD-ROM.*

i *The training BIG is non sterile and to be used the on attached Foam or WMTLeg Only.*

i *The manufacturer recommends the device to be used no more than 50 times.*